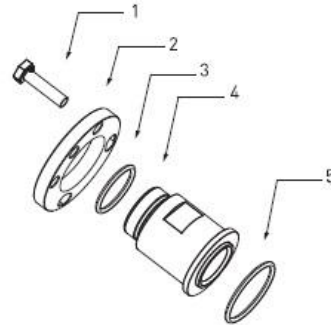


# ADAPTORS FOR COMPRESSORS

Technical Data



Model	Dimensions				
	1	2	3	4	5
OLR-ADP-10A	M8,8	3 Bolt 1.7/8" B.C. & 4 Bolt 50mm B.C.3,8	O ring	Thread 1 1/8" -12UNF	O ring
OLR-ADP-10B	M8,8	3 Bolt 1.7/8" B.C. & 4 Bolt 50mm B.C.3,8	O ring	Thread 1 1/8" -18UNEF	O ring

Compressors Adapter Kits List			
Manufacturer	Compressor Model	Compressor Connections	Adapter Kit Models
BITZER	From 2 CC up to 2 KC	1,1/8" - 18UNEF Thread	OLR-ADP-10B
	From 4 CC up to 2 FC		
	ESH	3 Bolts, 1,7/8" B,C	Not Necessary
	From 4 NC up to 4 VC		
	6D - 6E		Not Necessary
	8 FC - 8 GC		
2H - 2T - 4H - 4T - 4P	4 Bolts, 50 mm B,C	Not Necessary	
4G - 4H - 4J - 6F - 6G - 6J			
S 4 - S 6			
BOCK	HA From 3 up to 5	3 Bolts, 1,7/8" B.C	Not Necessary
	HG From 3 up to 5		
	HG 7 & HG 8	4 Bolts, 50 mm B.C	Not Necessary
	AM From 2 up to 5		
F From 2 up to 16	1,1/8" - 18UNEF Thread	OLR-ADP-10B	
HA12,22,34/HG 12,22,34			
CARRIER	EA, ER, 6E, OBE, OBCC	3 Bolts, 1,7/8" B,C	Not Necessary
COPELAND	D2, D3, D4, D6, 4CC, 6CC	3 Bolts, 1,7/8" B,C	Not Necessary
	D8, 8CC		
	DK, DL, DN, ZR, ZZ	1,1/8" - 12UNEF Thread	OLR-ADP-10A
DORIN	K, KP, 2S, Y	3 Bolts, 1,7/8" B,C	Not Necessary
	H From 40CC up to 240SB	1,1/8" - 12UNEF Thread	OLR-ADP-10B
	K From 40CC up to 240SB		
DUNHAM BUSH	BIG 4	3 Bolts, 1,7/8" B,C	Not Necessary
FRASCOLD	ALL	3 Bolts, 1,7/8" B,C	Not Necessary
MANEUROP	ALL	1,1/8" - 12UNEF Thread	OLR-ADP-10B
REFCOMP	L, OF, SP	3 Bolts, 1,7/8" B,C	Not Necessary
TECUMSEH	P, R, S, PA, RA, SA, CK, CM, CH, CG	1,1/8" - 12UNEF Thread	OLR-ADP-10A
	TAG, TAH	1,1/8" - 12UNEF Thread	OLR-ADP-10B
TRANE	M, R	3 Bolts, 1,7/8" B,C	Not Necessary
YORK	GC, GS, JS	3 Bolts, 1,7/8" B,C	Not Necessary